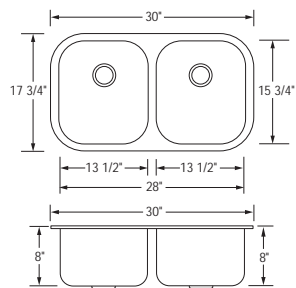
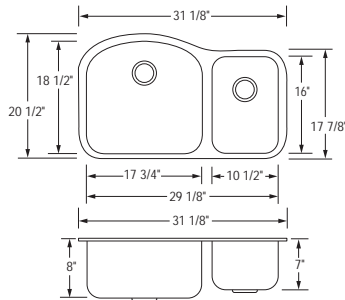


Premium 18 Gauge Stainless Steel Sinks (16 Gauge Models Also Available)



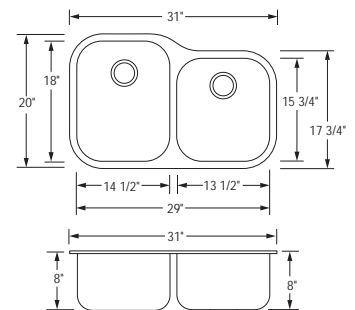
MH3218-D8/8

Left Bowl: 13-1/2" x 15-3/4" x 8"D
Right Bowl: 13-1/2" x 15-3/4" x 8"D



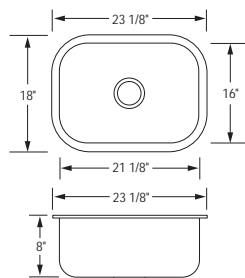
MH3220-D8/7

Large Bowl: 17-3/4" x 18-1/2" x 8"D
Small Bowl: 10-1/2" x 16" x 7"D



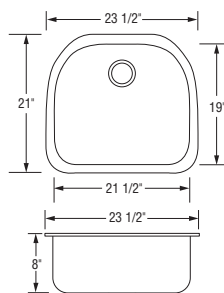
MH3221-D8/8

Large Bowl: 14-1/2" x 18" x 8"D
Small Bowl: 13-1/2" x 15-3/4" x 8"D



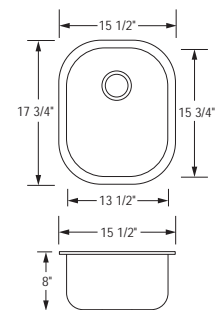
MH2318-D8

21-1/8" x 16" x 8"D



MH2321-D8

21-1/2" x 19" x 8"D



MH1618-D8

13-1/2" x 15-3/4" x 8"D

G Available with Optional Grid **R** Available as a Reverse Model



Complies with ASME A112.19.3-2000