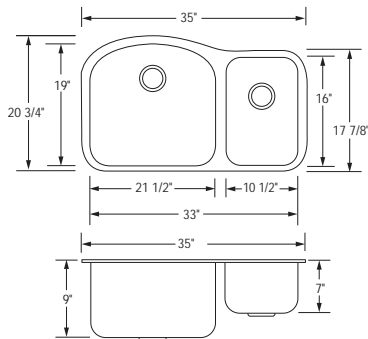




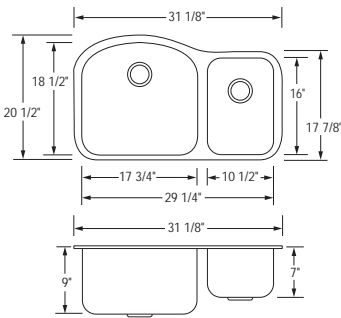
Premium 16 Gauge Double Bowl Stainless Steel Sinks



AR3521-D9/7



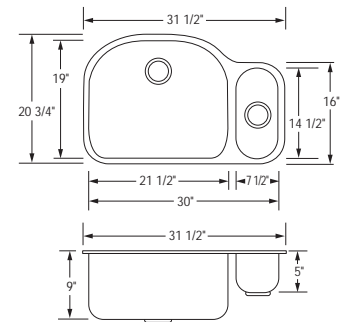
Large Bowl: 21-1/2" x 19" x 9"D
Small Bowl: 10-1/2" x 16" x 7"D



AR3220-D9/7



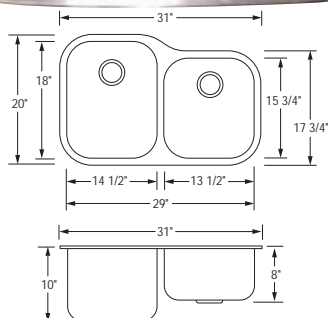
Large Bowl: 17-3/4" x 18-1/2" x 9"D
Small Bowl: 10-1/2" x 16" x 7"D



AR3121-D9/5



Large Bowl: 21-1/2" x 19" x 9"D
Small Bowl: 7-1/2" x 14-1/2" x 5"D

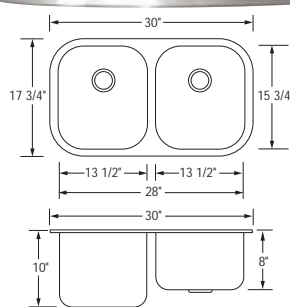


AR3221-D10/8

(also available: AR3221-D9/7)



Large Bowl: 14-1/2" x 18" x 10"D
Small Bowl: 13-1/2" x 15-3/4" x 8"D

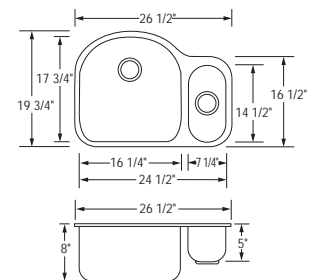


AR3218-D10/8 (also available:

AR3218-D9/7 & AR3218-D10/10)



Left Bowl: 13-1/2" x 15-3/4" x 10"D
Right Bowl: 13-1/2" x 15-3/4" x 8"D

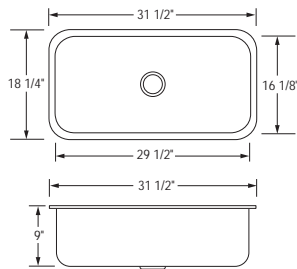


AR2619-D8/5

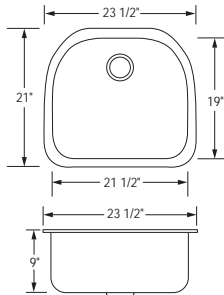
Large Bowl: 16-1/4" x 17-3/4" x 8"D
Small Bowl: 7-1/4" x 14-1/2" x 5"D



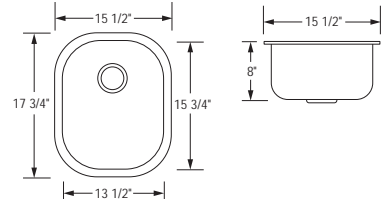
Premium 16 Gauge Single Bowl Stainless Steel Sinks



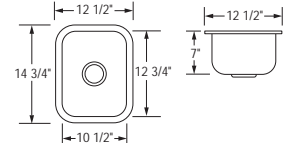
AR3118-D9
29-1/2" x 16-1/8" x 9"D



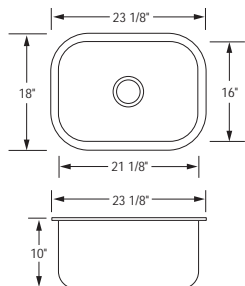
AR2321-D9
21-1/2" x 19" x 9"D



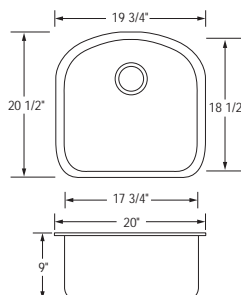
AR1618-D8
13-1/2" x 15-3/4" x 8"D



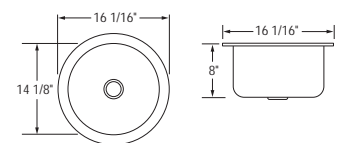
AR1214-D7
10-1/2" x 12-3/4" x 7"D



AR2318-D10
(also available: AR2318-D9)
21-1/8" x 16" x 10"D



AR2120-D9
17-3/4" x 18-1/2" x 9"D



AR016-D8
14-1/8" round x 8"D

Available with Optional Grid



Complies with ASME A112.19.3-2000